

部 品 表

# ILLUSTRATED PARTS LIST

FOR

# SINGER

MACHINE

1191D 200A  
300A  
258A  
558A

# CONTENTS

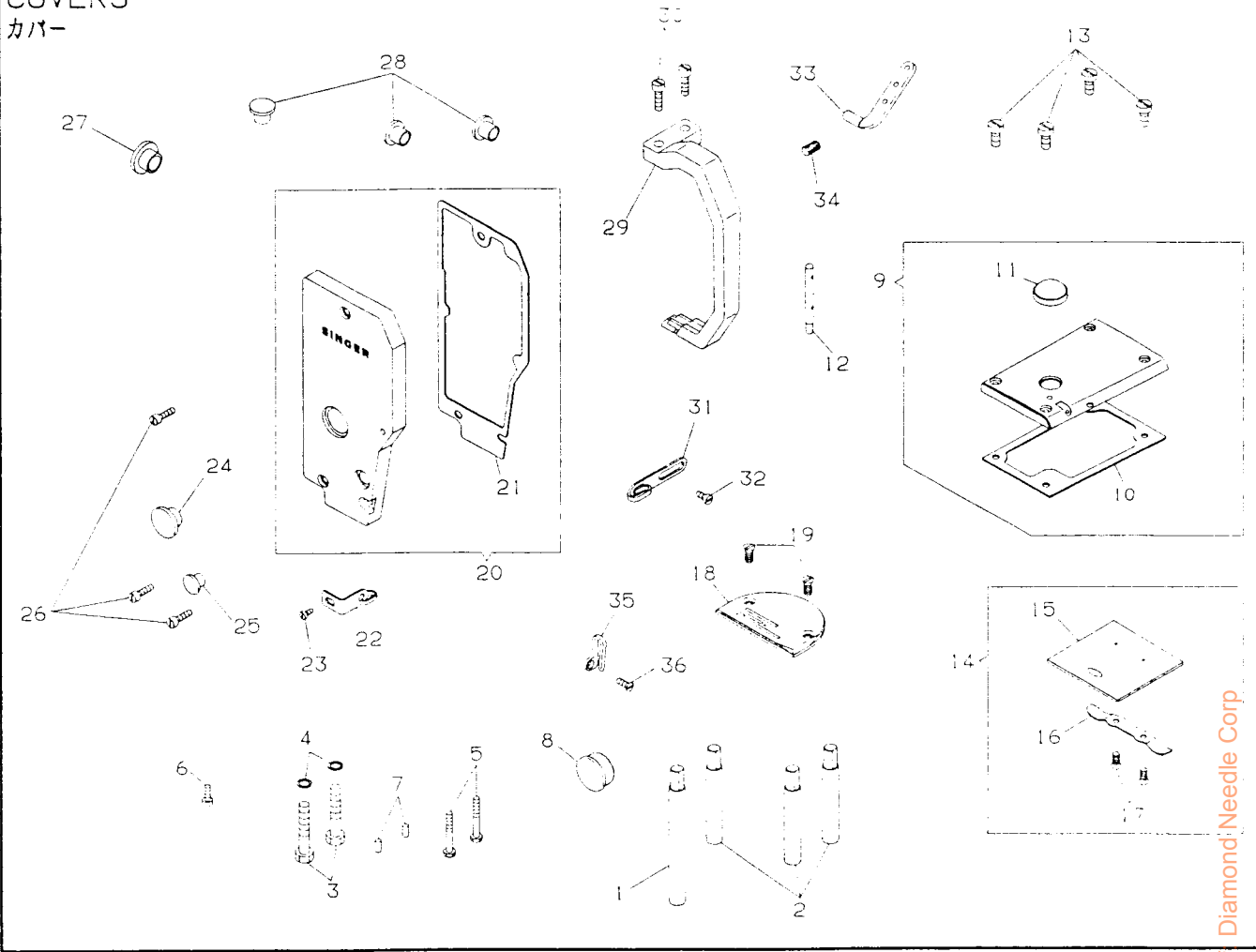
## 目 次

COVERS -----	1
カバー	
ARM SHAFT, TENSION COMP. -----	2
上軸、上糸調節器(組)	
NEEDLE BAR AND TAKE-UP LEVER -----	3
針棒、天ピン	
PRESSER BAR, PRESSER FOOT AND PRESSER BAR LIFTER -----	4
押工棒、自由押工、押工上げ	
FEED MECHANISM 1 -----	5
送り 1	
FEED MECHANISM 2 -----	6
送り 2	
UPRIGHT SHAFT AND ROTATING HOOK SHAFT -----	7
竖軸、下軸	
LUBRICATING MECHANISM -----	8
給油、還流	
ACCESSORIES AND ATTACHMENTS -----	9
付属品	
PARTS AVAILABLE AT EXTRA CHARGE -----	10
別売品	

\* To ensure that you are always provided with the most modern sewing capabilities, the manufacturer reserves the right to change the appearance, design or accessories of this sewing machine when considered necessary without notification or obligation.

COVERS

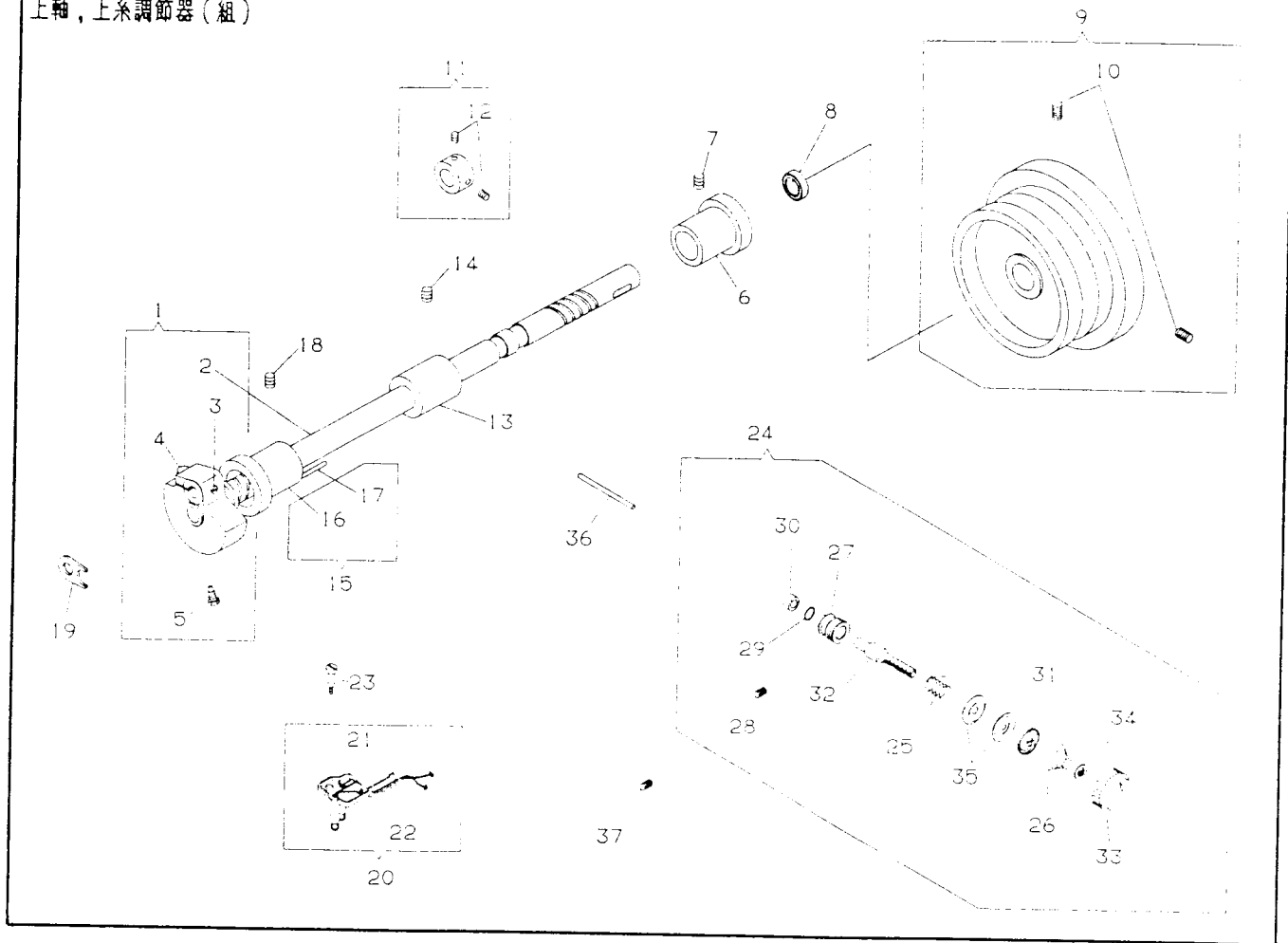
カバー



NO.	部品番号 PART NO.	D200A D100A	D258A D558A	数量 QTY	名称	DESCRIPTION
1	550009	●	●	1	ベッド脚(長)	BED LEG (LONG)
2	550010	●	●	3	ベッド脚(短)	BED LEG (SHORT)
3	544363	●	●	2	アーム, ベッド脚メネジ(前)	ARM SCREW (FRONT)
4	543826	●	●	2	アーム, ベッド脚メネジ(前) 座金	ARM SCREW (FRONT) WASHER
5	545033	●	●	2	アーム, ベッド脚メネジ(後)	ARM SCREW (BACK)
6	504064	●	●	1	アーム, ベッド脚メネジ(小)	ARM SCREW (SMALL)
7	505001	●	●	2	アーム, ベッドノックピン	ARM DOWEL PIN
8	550011	●	●	1	ベッドホールプラグ	BED HOLE PLUG
9	550229-469	●	●	1	アーム上蓋(組)	ARM TOP COVER COMP.
10	550015	●	●	1	アーム上蓋パッキン	ARM TOP COVER PACKING
11	545944	●	●	1	オイルフローウインドウ	OIL FLOW WINDOW
12	52239	●	●	1	ネジ棒	ARM SPOOL PIN AND THREAD EYELET
13	544213-053	●	●	4	アーム上蓋脚メネジ	ARM TOP COVER SCREW
14	505317-452	●	●	1	スベリ板(組)	BED SLIDE COMP.
15	12431-452	●	●	1	スベリ板	BED SLIDE
16	154884	●	●	1	スベリ板バネ	BED SLIDE SPRING
17	154789-451	●	●	2	スベリ板バネ止メネジ	BED SLIDE SPRING SCREW
18	414464	●	●	1	針板(輸出)	THROAT PLATE (EXP.)
	541599	●	●	1	針板(国内)	THROAT PLATE (DOM.)
	12482-452	●	●	1	針板	THROAT PLATE
	270326-452	●	●	1	針板(USA向)	THROAT PLATE (FOR USA)
	376391	●	●	1	針板	THROAT PLATE
19	691-845	●	●	2	針板止メネジ	THROAT PLATE SCREW
20	550035-451	●	●	1	面板, パッキン(組)	FACE PLATE AND FACE PLATE PACKING COMP.
21	550037	●	●	1	面板パッキン	FACE PLATE PACKING
22	368041	●	●	1	アーム糸掛け(左)	THREAD EYELET (SIDE OF ARM)
23	544212-001	●	●	1	アーム糸掛け(左)止メネジ	THREAD EYELET (SIDE OF ARM) SCREW
24	368063	●	●	1	面板プラグ(大)	FACE PLATE LARGE PLUG
25	368037	●	●	1	面板プラグ(小)	FACE PLATE SMALL PLUG
26	544212-004	●	●	3	面板メネジ	FACE PLATE SCREW
27	544886	●	●	1	アームホールプラグ(大)	ARM HOLE PLUG (LARGE)
28	544782	●	●	3	アームホールプラグ(小)	ARM HOLE PLUG (SMALL)
29	550040-451	●	●	1	天ビンガード	THREAD TAKE-UP LEVER GUARD
30	544212-012	●	●	2	天ビンガード止メネジ	THREAD TAKE-UP LEVER GUARD SCREW
31	368042	●	●	1	アーム糸掛け(右)	THREAD GUARD (SIDE OF ARM)
32	544212-001	●	●	1	アーム糸掛け(右)止メネジ	THREAD GUARD (SIDE OF ARM) SCREW
33	52454	●	●	1	三ツ目糸掛け	THREAD RETAINER
34	544203-001	●	●	1	三ツ目糸掛け止メネジ	THREAD RETAINER SET SCREW
35	544950	●	●	1	アーム糸掛け(中)	THREAD GUARD (CENTER)
36	500246-850	●	●	1	アーム糸掛け(中)止メネジ	THREAD GUARD (CENTER) SCREW

From the library of Diamond Needle Corp.

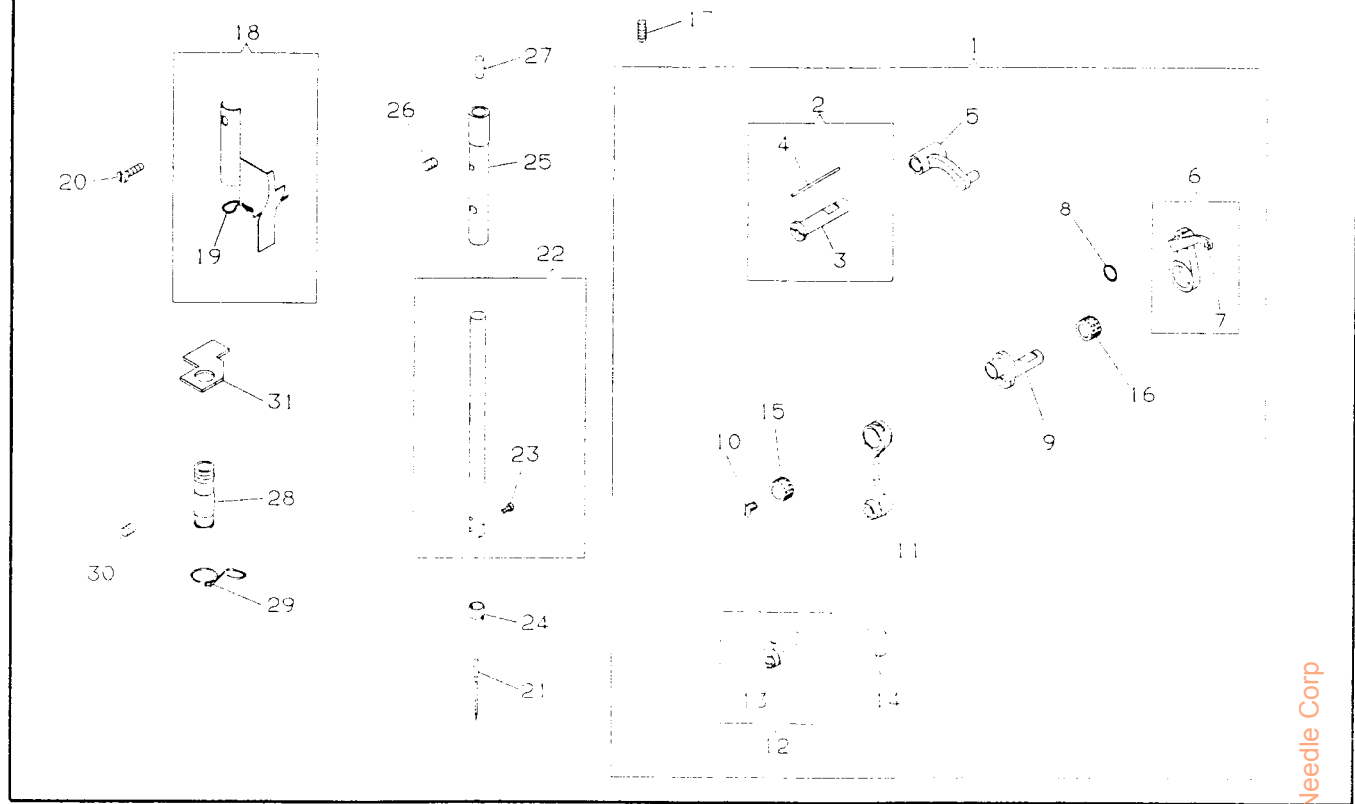
ARM SHAFT, TENSION COMP.  
上軸, 上糸調節器(組)



NO.	部品番号 PART NO.	D200A 0300A 0258A 0558A	数量 QTY.	名称	DESCRIPTION
1	376349	●	1	上軸, 約合クランク(組)	ARM SHAFT (HORIZONTAL) AND NEEDLE BAR CRANK COMP.
2	376290	●	1	上軸, 約合クランク(組)	ARM SHAFT (HORIZONTAL) AND NEEDLE BAR CRANK COMP.
3	504095	●	1	上軸, 約合クランク(組)	ARM SHAFT (HORIZONTAL) AND NEEDLE BAR CRANK COMP.
4	504117	●	1	針棒クランク止メネジ	THREAD TAKE-UP CRANK SET SCREW
5	504117	●	1	針棒クランク止メネジ	THREAD TAKE-UP CRANK SET SCREW
6	540706	●	1	約合クランク止メネジ	THREAD TAKE-UP CLAMPING SCREW
7	504002	●	1	上軸メタル(後)	NEEDLE BAR CRANK POSITION SCREW
8	540707	●	1	上軸メタル(後)止メネジ	ARM SHAFT (HORIZONTAL) FLANGED BUSHING (BACK)
9	550044-451	●	1	上軸メタル(後)オイルシール	ARM SHAFT (HORIZONTAL) FLANGED BUSHING (BACK) SET SCREW
10	504119	●	1	ハズミ止メネジ	ARM SHAFT (HORIZONTAL) FLANGED BUSHING (BACK) OIL SEAL
11	545762-001	●	2	ハズミ止メネジ	MACHINE PULLEY COMP.
12	504101	●	1	上軸カラー(組)	MACHINE PULLEY SET SCREW
13	545758	●	2	上軸カラー止メネジ	ARM SHAFT (HORIZONTAL) THRUST COLLAR COMP.
14	504002	●	1	上軸メタル(中)	ARM SHAFT (HORIZONTAL) THRUST COLLAR SET SCREW
15	540720	●	1	上軸メタル(中)止メネジ	ARM SHAFT (HORIZONTAL) THRUST COLLAR SET SCREW
16	540406	●	1	上軸メタル(前)	ARM SHAFT (HORIZONTAL) BUSHING (CENTER) SET SCREW
17	540722	●	1	上軸メタル(前)止メネジ	ARM SHAFT (HORIZONTAL) FLANGED BUSHING (FRONT) COMP.
18	504002	●	1	上軸メタル(前)オイルブレンチュープ錠	ARM SHAFT (HORIZONTAL) FLANGED BUSHING (FRONT)
19	540476	●	1	上軸メタル(前)止メネジ	ARM SHAFT (HORIZONTAL) FLANGED BUSHING (FRONT) OIL TUBE TAPE
20	543365	●	1	針棒クランク座金	ARM SHAFT (HORIZONTAL) FLANGED BUSHING (FRONT) SET SCREW
21	543366	●	1	天ピンオイルウエック支エ(組)	THREAD TAKE-UP CRANK WASHER
22	543363	●	1	天ピンオイルウエック支エ(組)	OIL WICK HOLDER COMP.
23	543364	●	1	天ピンオイルウエック支エ, 1/16(組)	OIL WICK HOLDER COMP.
24	545909	●	2	天ピンオイルウエック支エ, 1/16(組)	OIL WICK HOLDER AND PIPE
25	545051	●	1	天ピンオイルウエック	OIL WICK HOLDER AND PIPE
26	376439-452	●	1	天ピンオイルウエック支エ止メネジ	OIL WICK (COTTON)
27	376440-452	●	1	上糸調節器(組)	OIL WICK HOLDER SCREW
28	32758	●	1	上糸調節器(組)	TENSION COMP.
29	540692	●	1	糸取りバネ	TENSION COMP.
30	125314	●	1	糸取りバネ	THREAD TAKE-UP SPRING
31	368082	●	1	糸取りバネ	TENSION SPRING
32	504047	●	1	糸取りバネ	TENSION SPRING
33	540533	●	1	糸取りバネ	THREAD TAKE-UP SPRING REGULATOR
34	540534	●	1	糸取りバネ	TENSION STUD SET SCREW
35	414273	●	1	糸取りバネ	THREAD TAKE-UP SPRING REGULATOR SPRING
36	545898	●	1	糸取りバネ	THREAD TAKE-UP SPRING REGULATOR RUBBER CAP
37	413500-452	●	1	糸取りバネ	TENSION REGULATING DISC
38	411154	●	1	糸取りバネ	TENSION STUD
39	2102	●	2	糸取りバネ	TENSION REGULATING THUMB NUT
40	540654	●	1	糸取りバネ	TENSION REGULATING THUMB NUT WASHER
41	3768430	●	1	糸取りバネ	TENSION DISC
					TENSION REGULATING THUMB NUT
					TENSION REGULATING THUMB NUT WASHER
					TENSION DISC
					TENSION REGULATING THUMB NUT
					TENSION REGULATING THUMB NUT WASHER
					TENSION DISC
					TENSION REGULATING THUMB NUT
					TENSION REGULATING THUMB NUT WASHER
					TENSION DISC
					TENSION REGULATING THUMB NUT
					TENSION REGULATING THUMB NUT WASHER
					TENSION DISC
					TENSION REGULATING THUMB NUT
					TENSION REGULATING THUMB NUT WASHER
					TENSION DISC
					TENSION REGULATING THUMB NUT
					TENSION REGULATING THUMB NUT WASHER
					TENSION DISC
					TENSION REGULATING THUMB NUT
					TENSION REGULATING THUMB NUT WASHER
					TENSION DISC
					TENSION REGULATING THUMB NUT
					TENSION REGULATING THUMB NUT WASHER
					TENSION DISC
					TENSION REGULATING THUMB NUT
					TENSION REGULATING THUMB NUT WASHER
					TENSION DISC
					TENSION REGULATING THUMB NUT
					TENSION REGULATING THUMB NUT WASHER
					TENSION DISC
					TENSION REGULATING THUMB NUT
					TENSION REGULATING THUMB NUT WASHER
					TENSION DISC
					TENSION REGULATING THUMB NUT
					TENSION REGULATING THUMB NUT WASHER
					TENSION DISC
					TENSION REGULATING THUMB NUT
					TENSION REGULATING THUMB NUT WASHER
					TENSION DISC
					TENSION REGULATING THUMB NUT
					TENSION REGULATING THUMB NUT WASHER
					TENSION DISC
					TENSION REGULATING THUMB NUT
					TENSION REGULATING THUMB NUT WASHER
					TENSION DISC
					TENSION REGULATING THUMB NUT
					TENSION REGULATING THUMB NUT WASHER
					TENSION DISC
					TENSION REGULATING THUMB NUT
					TENSION REGULATING THUMB NUT WASHER
					TENSION DISC
					TENSION REGULATING THUMB NUT
					TENSION REGULATING THUMB NUT WASHER
					TENSION DISC
					TENSION REGULATING THUMB NUT
					TENSION REGULATING THUMB NUT WASHER
					TENSION DISC
					TENSION REGULATING THUMB NUT
					TENSION REGULATING THUMB NUT WASHER
					TENSION DISC
					TENSION REGULATING THUMB NUT
					TENSION REGULATING THUMB NUT WASHER
					TENSION DISC
					TENSION REGULATING THUMB NUT
					TENSION REGULATING THUMB NUT WASHER
					TENSION DISC
					TENSION REGULATING THUMB NUT
					TENSION REGULATING THUMB NUT WASHER
					TENSION DISC
					TENSION REGULATING THUMB NUT
					TENSION REGULATING THUMB NUT WASHER
					TENSION DISC
					TENSION REGULATING THUMB NUT
					TENSION REGULATING THUMB NUT WASHER
					TENSION DISC
					TENSION REGULATING THUMB NUT
					TENSION REGULATING THUMB NUT WASHER
					TENSION DISC
					TENSION REGULATING THUMB NUT
					TENSION REGULATING THUMB NUT WASHER
					TENSION DISC
					TENSION REGULATING THUMB NUT
					TENSION REGULATING THUMB NUT WASHER
					TENSION DISC
					TENSION REGULATING THUMB NUT
					TENSION REGULATING THUMB NUT WASHER
					TENSION DISC
					TENSION REGULATING THUMB NUT
					TENSION REGULATING THUMB NUT WASHER
					TENSION DISC
					TENSION REGULATING THUMB NUT
					TENSION REGULATING THUMB NUT WASHER
					TENSION DISC
					TENSION REGULATING THUMB NUT
					TENSION REGULATING THUMB NUT WASHER
					TENSION DISC
					TENSION REGULATING THUMB NUT
					TENSION REGULATING THUMB NUT WASHER
					TENSION DISC
					TENSION REGULATING THUMB NUT
					TENSION REGULATING THUMB NUT WASHER
					TENSION DISC
					TENSION REGULATING THUMB NUT
					TENSION REGULATING THUMB NUT WASHER
					TENSION DISC
					TENSION REGULATING THUMB NUT
					TENSION REGULATING THUMB NUT WASHER
					TENSION DISC
					TENSION REGULATING THUMB NUT
					TENSION REGULATING THUMB NUT WASHER
					TENSION DISC
					TENSION REGULATING THUMB NUT
					TENSION REGULATING THUMB NUT WASHER
					TENSION DISC
					TENSION REGULATING THUMB NUT
					TENSION REGULATING THUMB NUT WASHER
					TENSION DISC
					TENSION REGULATING THUMB NUT
					TENSION REGULATING THUMB NUT WASHER
					TENSION DISC
					TENSION REGULATING THUMB NUT
					TENSION REGULATING THUMB NUT WASHER
					TENSION DISC
					TENSION REGULATING THUMB NUT
					TENSION REGULATING THUMB NUT WASHER
					TENSION DISC
					TENSION REGULATING THUMB NUT
					TENSION REGULATING THUMB NUT WASHER
					TENSION DISC
					TENSION REGULATING THUMB NUT
					TENSION REGULATING THUMB NUT WASHER
					TENSION DISC
					TENSION REGULATING THUMB NUT
					TENSION REGULATING THUMB NUT WASHER
					TENSION DISC
					TENSION REGULATING THUMB NUT
					TENSION REGULATING THUMB NUT WASHER
					TENSION DISC
					TENSION REGULATING THUMB NUT
					TENSION REGULATING THUMB NUT WASHER
					TENSION DISC
					TENSION REGULATING THUMB NUT
					TENSION REGULATING THUMB NUT WASHER
					TENSION DISC
					TENSION REGULATING THUMB NUT
					TENSION REGULATING THUMB NUT WASHER
					TENSION DISC
					TENSION REGULATING THUMB NUT
					TENSION REGULATING THUMB NUT WASHER
					TENSION DISC
					TENSION REGULATING THUMB NUT
					TENSION REGULATING THUMB NUT WASHER
					TENSION DISC
					TENSION REGULATING THUMB NUT
					TENSION REGULATING THUMB NUT WASHER
					TENSION DISC
					TENSION REGULATING THUMB NUT
					TENSION REGULATING THUMB NUT WASHER
					TENSION DISC
					TENSION REGULATING THUMB NUT
					TENSION REGULATING THUMB NUT WASHER
					TENSION DISC
					TENSION REGULATING THUMB NUT
					TENSION REGULATING THUMB NUT WASHER
					TENSION DISC
					TENSION REGULATING THUMB NUT
					TENSION REGULATING THUMB NUT WASHER
					TENSION DISC
					TENSION REGULATING THUMB NUT
					TENSION REGULATING THUMB NUT WASHER
					TENSION DISC
					TENSION REGULATING THUMB NUT
					TENSION REGULATING THUMB NUT WASHER
					TENSION DISC
					TENSION REGULATING THUMB NUT
					TENSION REGULATING THUMB NUT WASHER
					TENSION DISC
					TENSION REGULATING THUMB NUT
					TENSION REGULATING THUMB NUT WASHER
					TENSION DISC
					TENSION REGULATING THUMB NUT
					TENSION REGULATING THUMB NUT WASHER
					TENSION DISC
					TENSION REGULATING THUMB NUT
					TENSION REGULATING THUMB NUT WASHER
					TENSION DISC
					TENSION REGULATING THUMB NUT
					TENSION REGULATING THUMB NUT WASHER
					TENSION DISC
					TENSION REGULATING THUMB NUT
					TENSION REGULATING THUMB NUT WASHER
					TENSION DISC
					TENSION REGULATING THUMB NUT
					TENSION REGULATING THUMB NUT WASHER
					TENSION DISC
					TENSION REGULATING THUMB NUT
					TENSION REGULATING THUMB NUT WASHER
					TENSION DISC
					TENSION REGULATING THUMB NUT
					TENSION REGULATING THUMB NUT WASHER
					T

# NEEDLE BAR AND TAKE-UP LEVER

針棒, 天ピン

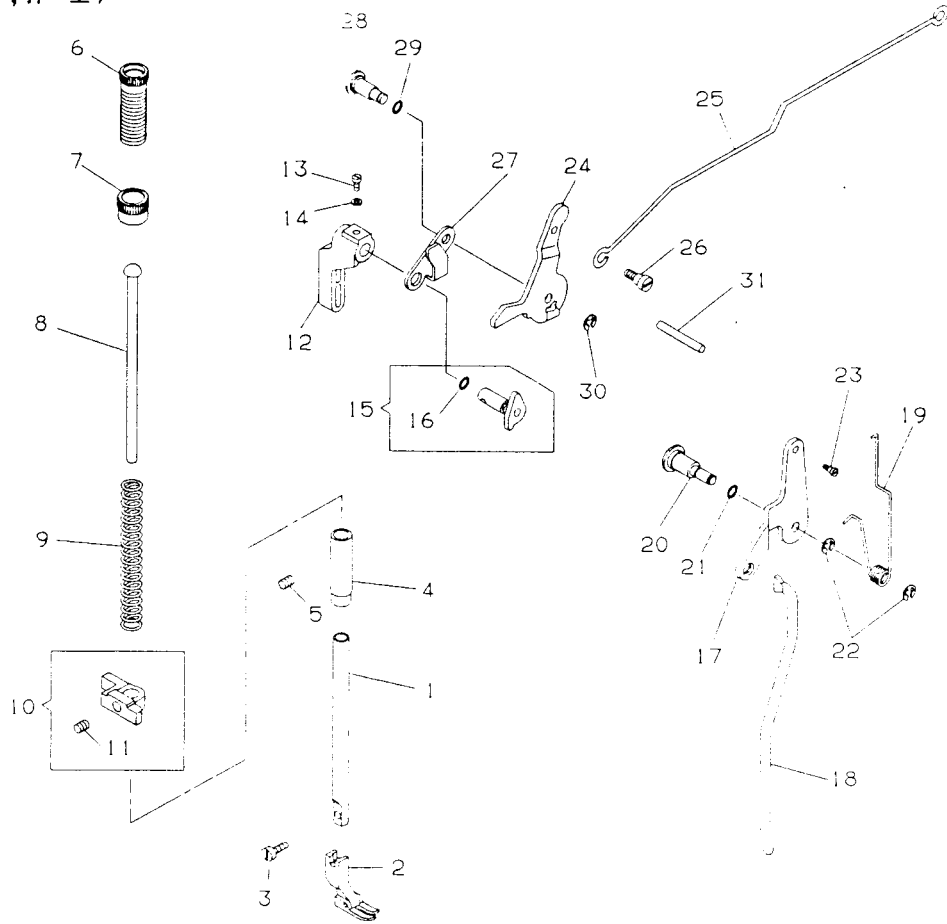


NO.	部品番号 PART NO.	D200A D300A D556A D556A	数量 QTY.	名称	DESCRIPTION
1	550052	.....	1	天ピン, 針棒クランクロッド (組)	THREAD TAKE-UP COMP.
	550054	.....	1	天ピン, 針棒クランクロッド (組)	THREAD TAKE-UP COMP.
2	543369	.....	1	天ピン支エ軸 (組)	THREAD TAKE-UP LEVER LINK HINGE STUD COMP.
3	543368	.....	1	天ピン支エ軸	THREAD TAKE-UP LEVER LINK HINGE STUD
4	543370	.....	1	天ピン支エ軸オイルウィック	THREAD TAKE-UP LEVER LINK HINGE STUD OIL WICK (COTTON)
5	543367	.....	1	天ピン支エ	THREAD TAKE-UP LEVER LINK
6	540676	.....	1	天ピン (組)	THREAD TAKE-UP LEVER COMP.
7	52130	.....	1	天ピン糸通	THREAD TAKE-UP LEVER THREAD EYELET BUSHING
8	543871-002	.....	1	天ピンロリング	THREAD TAKE-UP LEVER O-RING
9	540677	.....	1	針棒クランク	THREAD TAKE-UP CRANK
	540685	.....	1	針棒クランク	THREAD TAKE-UP CRANK
10	504118	.....	1	針棒クランクロッド左ネジ	NEEDLE BAR CONNECTING LINK CAP SCREW
11	368069	.....	1	針棒クランクロッド	NEEDLE BAR CONNECTING LINK
12	544881	.....	1	針棒軸止 (組)	NEEDLE BAR CONNECTING STUD COMP.
13	549380	.....	1	針棒軸止締メネジ	NEEDLE BAR CONNECTING STUD CLAMPING SCREW
14	143058	.....	1	針棒軸止スライドブロック	NEEDLE BAR CONNECTING STUD SLIDE BLOCK
15	540662	.....	1	針棒クランクロッドローラーベアリング	NEEDLE BAR CONNECTING LINK ROLLER BEARING
16	540662	.....	1	天ピンローラーベアリング	THREAD TAKE-UP LEVER ROLLER BEARING
17	504002	.....	1	天ピン支エ軸止メネジ	THREAD TAKE-UP LEVER LINK HINGE STUD SET SCREW
18	376394	.....	1	天ピンオイルガード (組)	THREAD TAKE-UP LEVER OIL GUARD COMP.
19	376396	.....	1	天ピンオイルガードオイルウィック	THREAD TAKE-UP LEVER OIL GUARD WICK (COTTON)
20	504063-451	.....	1	天ピンオイルガード止メネジ	THREAD TAKE-UP LEVER OIL GUARD SCREW
21	N19550-114	.....	1	針 (135×65#14) (輸出)	NEEDLE (135×65#14) (EXP.)
	N15150-110	.....	1	針 (16×95#10) (国内)	NEEDLE (16×95#10) (DOM.)
	N19550-116	.....	1	針 (135×65#16) (輸出)	NEEDLE (135×65#16) (EXP.)
	N15150-114	.....	1	針 (16×95#14) (国内)	NEEDLE (16×95#14) (DOM.)
	N19550-121	.....	1	針 (135×65#21)	NEEDLE (135×65#21)
22	540702	.....	1	針棒 (組) (輸出)	NEEDLE BAR (HOLLOW) COMP. (EXP.)
	540659	.....	1	針棒 (組) (国内)	NEEDLE BAR (HOLLOW) COMP. (DOM.)
	540698	.....	1	針棒 (組) (輸出)	NEEDLE BAR (HOLLOW) COMP. (EXP.)
	540700	.....	1	針棒 (組) (国内)	NEEDLE BAR (HOLLOW) COMP. (DOM.)
	540698	.....	1	針棒 (組)	NEEDLE BAR (HOLLOW) COMP.
23	504112	.....	1	針止メネジ	NEEDLE SET SCREW
24	375571	.....	1	針棒糸通ケ	NEEDLE BAR THREAD GUARD
25	545841	.....	1	針棒メタル (上)	NEEDLE BAR BUSHING (UPPER)
26	504129	.....	1	針棒メタル (上) 止メネジ	NEEDLE BAR BUSHING (UPPER) SET SCREW
27	540703	.....	1	針棒メタル (上) フェルト	NEEDLE BAR BUSHING (UPPER) FELT
28	540524	.....	1	針棒メタル (下)	NEEDLE BAR BUSHING (LOWER)
	540525	.....	1	針棒メタル (下)	NEEDLE BAR BUSHING (LOWER)
29	368446	.....	1	針棒メタル (下) 糸通ケ	NEEDLE BAR BUSHING (LOWER) THREAD EYELET
	368435	.....	1	針棒メタル (下) 糸通ケ	NEEDLE BAR BUSHING (LOWER) THREAD EYELET
30	504129	.....	1	針棒メタル (下) 止メネジ	NEEDLE BAR BUSHING (LOWER) SET SCREW
31	540528	.....	1	針棒メタル (下) フェルト	NEEDLE BAR BUSHING (LOWER) FELT

From the library of: Diamond Needle Corp

# PRESSER BAR, PRESSER FOOT AND PRESSER BAR LIFTER

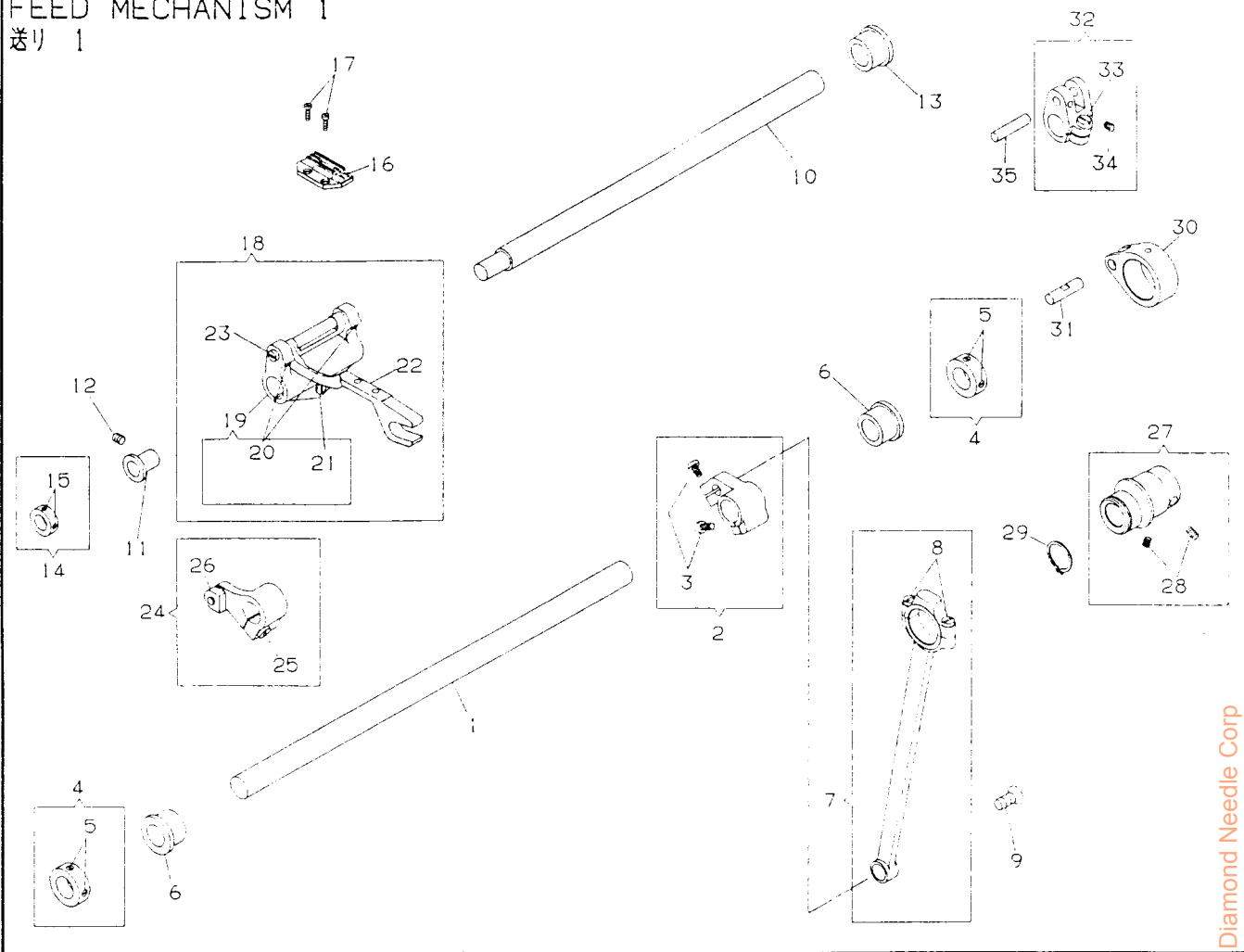
押工棒, 自由押工, 押工上げ



NO.	部品番号 PART NO.	D200A D300A D258A D558A	数量 QTY	名称	DESCRIPTION
1	545864	●●●●	1	押工棒	PRESSER BAR (HOLLOW)
2	505643	●●●●	1	自由押工 (組) (輸出)	PRESSER FOOT (SPRING HINGED) COMP. (EXP.)
	543059	●●●●	1	自由押工 (組) (国内)	PRESSER FOOT (SPRING HINGED) COMP. (DCM.)
	543419	●●●●	1	自由押工 (組)	PRESSER FOOT (SPRING HINGED) COMP.
	541585-002	●●●●	1	自由押工 (組)	PRESSER FOOT (SPRING HINGED) COMP.
3	504063-451	●●●●	1	自由押工止めネジ	PRESSER FOOT SCREW
4	505649	●●●●	1	押工棒メタル	PRESSER BAR BUSHING (LOWER)
5	504129	●●●●	1	押工棒メタル止めネジ	PRESSER BAR BUSHING (LOWER) SET SCREW
6	376423	●●●●	1	押工調節ネジ	PRESSURE REGULATING SCREW
7	376424	●●●●	1	押工調節ネジナット	PRESSURE REGULATING SCREW NUT
8	414342	●●●●	1	押工調節ネジ案内溝	PRESSURE REGULATING SCREW GUIDE ROD
9	414341	●●●●	1	押工棒バネ	PRESSER BAR SPRING
10	376416	●●●●	1	押工棒ガイド (組)	PRESSER BAR GUIDE BRACKET COMP.
11	504095	●●●●	1	押工棒ガイド止めネジ	PRESSER BAR GUIDE BRACKET SCREW
12	550058-451	●●●●	1	押工上げ	PRESSER BAR LIFTER
13	544212-055	●●●●	1	押工上げ止めネジ	PRESSER BAR LIFTER SET SCREW
14	543804-003	●●●●	1	押工上げ止めネジ座金	PRESSER BAR LIFTER SET SCREW WASHER
15	550059	●●●●	1	押工上げカム (組)	PRESSER BAR LIFTER CAM COMP.
16	543871-003	●●●●	1	押工上げカム軸Oリング	PRESSER BAR LIFTER CAM SHAFT O-RING
17	550069	●●●●	1	膝上げ接続棒	BELL CRANK CONNECTING ARM
18	550070	●●●●	1	膝上げ接続棒 (押し)	BELL CRANK CONNECTING ROD (PUSH)
19	550071	●●●●	1	膝上げ接続棒戻りシバネ	BELL CRANK CONNECTING ARM SPRING
20	550072	●●●●	1	膝上げ接続棒戻りネジ	BELL CRANK CONNECTING ARM HINGE SCREW
21	543871-008	●●●●	1	膝上げ接続棒戻りネジOリング	BELL CRANK CONNECTING ARM HINGE SCREW O-RING
22	543801-006	●●●●	2	膝上げ接続棒戻りネジ止め輪	BELL CRANK CONNECTING ARM HINGE SCREW SNAP RING
23	368089	●●●●	1	膝上げ接続棒 (引き) 設ネジ (後)	BELL CRANK CONNECTING ROD (PULL) STUD SCREW (BACK)
24	550063	●●●●	1	押工上げ腕	PRESSER BAR LIFTER ARM
25	550064	●●●●	1	膝上げ接続棒 (引き)	BELL CRANK CONNECTING ROD (PULL)
26	368089	●●●●	1	膝上げ接続棒 (引き) 設ネジ (前)	BELL CRANK CONNECTING ROD (PULL) STUD SCREW (FRONT)
27	550065	●●●●	1	押工上げ腕案内板	PRESSER BAR LIFTER ARM GUIDE BRACKET
28	550067	●●●●	1	押工上げ腕戻りネジ	PRESSER BAR LIFTER HINGE SCREW
29	543871-008	●●●●	1	押工上げ腕戻りネジOリング	PRESSER BAR LIFTER HINGE SCREW O-RING
30	543801-006	●●●●	1	押工上げ腕戻りネジ止め輪	PRESSER BAR LIFTER HINGE SCREW SNAP RING
31	550066	●●●●	1	糸調子作動ピン	TENSION RELEASE ACTUATING PIN

# FEED MECHANISM 1

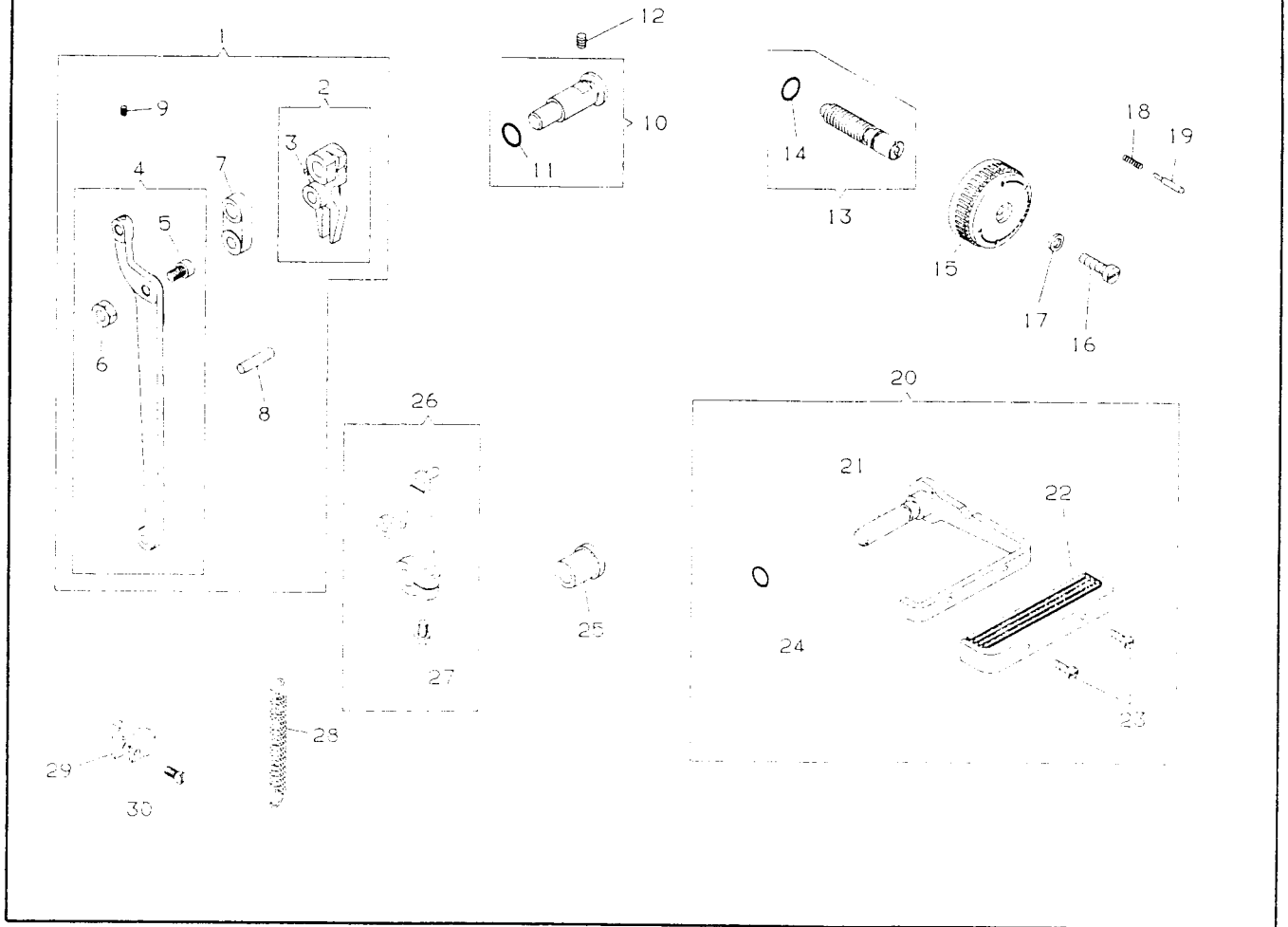
送り 1



NO.	部品番号 PART NO.	数量			名称	DESCRIPTION
		D200A	I0300A	QTY.		
1	544933	●	●	1	上下送り軸	FEED LIFTING ROCK SHAFT
2	545807	●	●	1	上下送り腕(後)(組)	FEED LIFTING ROCK SHAFT CRANK (BACK) COMP.
3	549183	●	●	2	上下送り腕(後)締メネジ	FEED LIFTING ROCK SHAFT CRANK (BACK) CLAMPING SCREW
4	545806	●	●	2	上下送り軸カラー(組)	FEED LIFTING ROCK SHAFT COLLAR COMP.
5	504007	●	●	4	上下送り軸カラー止メネジ	FEED LIFTING ROCK SHAFT COLLAR SET SCREW
6	545949	●	●	2	上下送り軸メタル	FEED LIFTING ROCK SHAFT FLANGED BUSHING
7	376468	●	●	1	上下送りクランクロッド(組)	FEED LIFTING ROCK SHAFT CRANK (BACK) CONNECTING ROD COMP.
8	504071	●	●	2	上下送りクランクロッド蓋締メネジ	FEED LIFTING ROCK SHAFT CRANK (BACK) CONNECTING ROD CAP SCREW
9	545799	●	●	1	上下送りクランクロッドヒンジスタッド	FEED LIFTING ROCK SHAFT CRANK (BACK) CONNECTING ROD HINGE STUD
10	414288	●	●	1	水平送り軸	FEED ROCK SHAFT
11	545836	●	●	1	水平送り軸メタル(前)	FEED ROCK SHAFT FLANGED BUSHING (FRONT)
12	504094	●	●	1	水平送り軸メタル(前)止メネジ	FEED ROCK SHAFT FLANGED BUSHING (FRONT) SET SCREW
13	545949	●	●	1	水平送り軸メタル(後)	FEED ROCK SHAFT FLANGED BUSHING (BACK)
14	545837	●	●	1	水平送り軸カラー(組)	FEED ROCK SHAFT COLLAR COMP.
15	504007	●	●	2	水平送り軸カラー止メネジ	FEED ROCK SHAFT COLLAR SET SCREW
16	376445	●	●	1	送り(輸出)	FEED DOG (EXP.)
	543372	●	●	1	送り(国内)	FEED DOG (DOM.)
	12481	●	●	1	送り	FEED DOG
	143366	●	●	1	送り(USA向)	FEED DOG (FOR USA)
	143174	●	●	1	送り	FEED DOG
17	504051	●	●	2	送り締メネジ	FEED DOG SCREW
18	376331	●	●	1	送り台、送り台キャリア(組)	FEED BAR COMP.
19	376332	●	●	1	送り台キャリア(組)	FEED BAR CARRIER COMP.
20	544207-013	●	●	2	送り台ヒンジピン締メネジ	FEED BAR HINGE PIN CLAMPING SCREW
21	549028	●	●	1	送り台キャリア締メネジ	FEED BAR CARRIER CLAMPING SCREW
22	544925	●	●	1	送り台	FEED BAR
23	544928	●	●	1	送り台ヒンジピン	FEED BAR HINGE PIN
24	544934	●	●	1	上下送り腕(前)(締組)	FEED LIFTING ROCK SHAFT CRANK (FRONT) COMP.
25	545043	●	●	1	上下送り腕(前)締メネジ	FEED LIFTING ROCK SHAFT CRANK (FRONT) CLAMPING SCREW
26	505633	●	●	1	上下送り腕コロ(組)	FEED LIFTING ROCK SHAFT CRANK (FRONT) SLIDE BLOCK
27	376428	●	●	1	送りカム(組)	FEED AND FEED LIFTING ECCENTRIC COMP.
28	545313	●	●	2	送りカム止メネジ	FEED AND FEED LIFTING ECCENTRIC SET SCREW
29	543866-022	●	●	1	送りカムリング	FEED AND FEED LIFTING ECCENTRIC RING
30	544908	●	●	1	送りクランク	FEED REGULATING CRANK
	376243	●	●	1	送りクランク	FEED REGULATING CRANK
31	544909	●	●	1	送りクランクピン	FEED REGULATING CRANK PIN
32	544919	●	●	1	水平送り腕(組)	FEED ROCK SHAFT CRANK COMP.
	376249	●	●	1	水平送り腕(組)	FEED ROCK SHAFT CRANK COMP.
33	549183	●	●	1	水平送り腕締メネジ	FEED ROCK SHAFT CRANK CLAMPING SCREW
34	544203-001	●	●	1	水平送り腕止メネジ	FEED ROCK SHAFT CRANK PIN SET SCREW
35	544910	●	●	1	水平送り腕軸	FEED ROCK SHAFT CRANK PIN

# FEED MECHANISM 2

送り 2

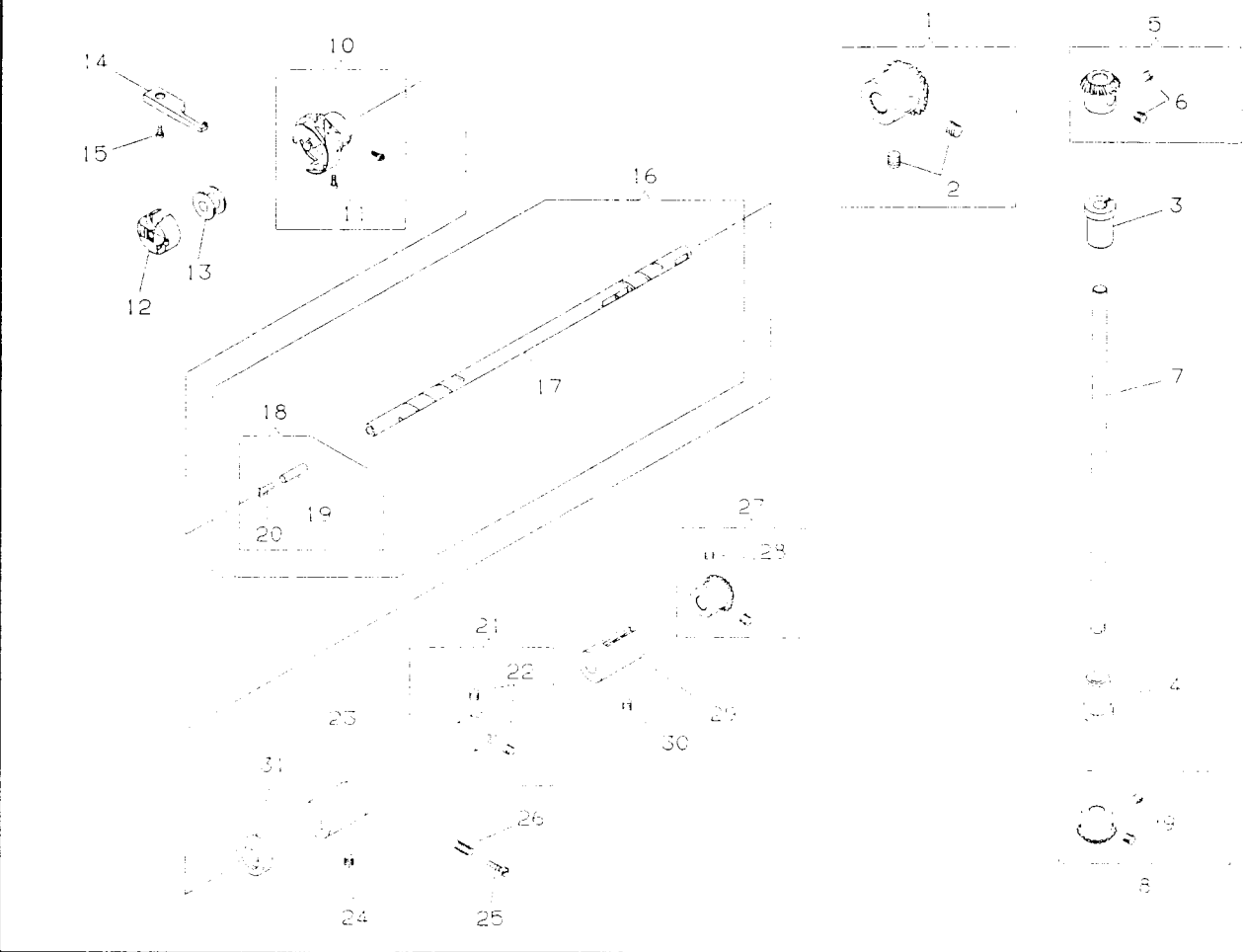


No.	部品番号 PART NO.	D200A D300A D250A D556A	数量 QTY	名称	DESCRIPTION
1	544911 376244	● ● ● ●		送りクランクロッド、送りリンク、送り調節器(組)	FEED REGULATOR AND FEED ROCK SHAFT CRANK CONNECTING ROD COMP.
2	544917	● ● ● ●		送りクランクロッド、送りリンク、送り調節器(組)	FEED REGULATOR AND FEED ROCK SHAFT CRANK CONNECTING ROD COMP.
3	545136-452	● ● ● ●		送り調節器(組)	FEED REGULATOR COMP.
4	414272	● ● ● ●		送りリンク軸止メネジ	FEED CONNECTING LINK STUD SET SCREW
5	376245	● ● ● ●		送りクランクロッド(組)	FEED ROCK SHAFT CRANK CONNECTING ROD COMP.
6	544914	● ● ● ●		送りクランクロッド(組)	FEED ROCK SHAFT CRANK CONNECTING ROD COMP.
7	154981	● ● ● ●		送りリンクネジスタッド	FEED CONNECTING LINK STUD
8	544915	● ● ● ●		送りリンクネジスタッドナット	FEED CONNECTING LINK SCREW STUD NUT
9	544916	● ● ● ●		送りリンク	FEED CONNECTING LINK
10	544203-007	● ● ● ●		送りリンク軸	FEED CONNECTING LINK STUD
11	544203	● ● ● ●		送りクランクピンの止メネジ	FEED REGULATING CRANK PIN SET SCREW
12	543871-010	● ● ● ●		送り調節器軸(組)	FEED REGULATOR HINGE STUD COMP.
13	504002	● ● ● ●		送り調節器軸Oリング	FEED REGULATOR HINGE STUD O-RING
14	550237	● ● ● ●		送り調節器軸止メネジ	FEED REGULATOR HINGE STUD SET SCREW
15	543871-007	● ● ● ●		送り調節ネジ(組)	FEED REGULATING STUD COMP.
16	550108-451	● ● ● ●		送り調節ネジOリング	FEED REGULATING STUD O-RING
17	550109-451	● ● ● ●		送り調節ダイヤル	FEED REGULATING DIAL
18	550239-383	● ● ● ●		送り調節ダイヤル	FEED REGULATING DIAL
19	544218-053	● ● ● ●		送り調節ダイヤル	FEED REGULATING DIAL
20	543871-004	● ● ● ●		送り調節ダイヤル止メネジ	FEED REGULATING DIAL CAP SCREW
21	545220	● ● ● ●		送り調節ダイヤル止メネジ座金	FEED REGULATING DIAL CAP SCREW WASHER
22	19368114	● ● ● ●		送り調節ダイヤルロックピン	FEED REGULATING DIAL LOCK PIN
23	550110-451	● ● ● ●		送り調節ダイヤルロックピン	FEED REGULATING DIAL LOCK PIN
24	550112	● ● ● ●		送り調節ダイヤルロックピン	FEED REGULATING DIAL LOCK PIN
25	550115-451	● ● ● ●		送り調節ダイヤルロックピン	FEED REGULATING DIAL LOCK PIN
26	544212-053	● ● ● ●		送り調節ダイヤルロックピン	FEED REGULATING DIAL LOCK PIN
27	543871-006	● ● ● ●		送り調節ダイヤルロックピン	FEED REGULATING DIAL LOCK PIN
28	368129	● ● ● ●		送り調節ダイヤルロックピン	FEED REGULATING DIAL LOCK PIN
29	544937	● ● ● ●		送り調節ダイヤルロックピン	FEED REGULATING DIAL LOCK PIN
30	549028	● ● ● ●		送り調節ダイヤルロックピン	FEED REGULATING DIAL LOCK PIN
31	540639	● ● ● ●		送り調節ダイヤルロックピン	FEED REGULATING DIAL LOCK PIN
32	376441	● ● ● ●		送り調節ダイヤルロックピン	FEED REGULATING DIAL LOCK PIN
33	544213-054	● ● ● ●		送り調節ダイヤルロックピン	FEED REGULATING DIAL LOCK PIN



# UPRIGHT SHAFT AND ROTATING HOOK SHAFT

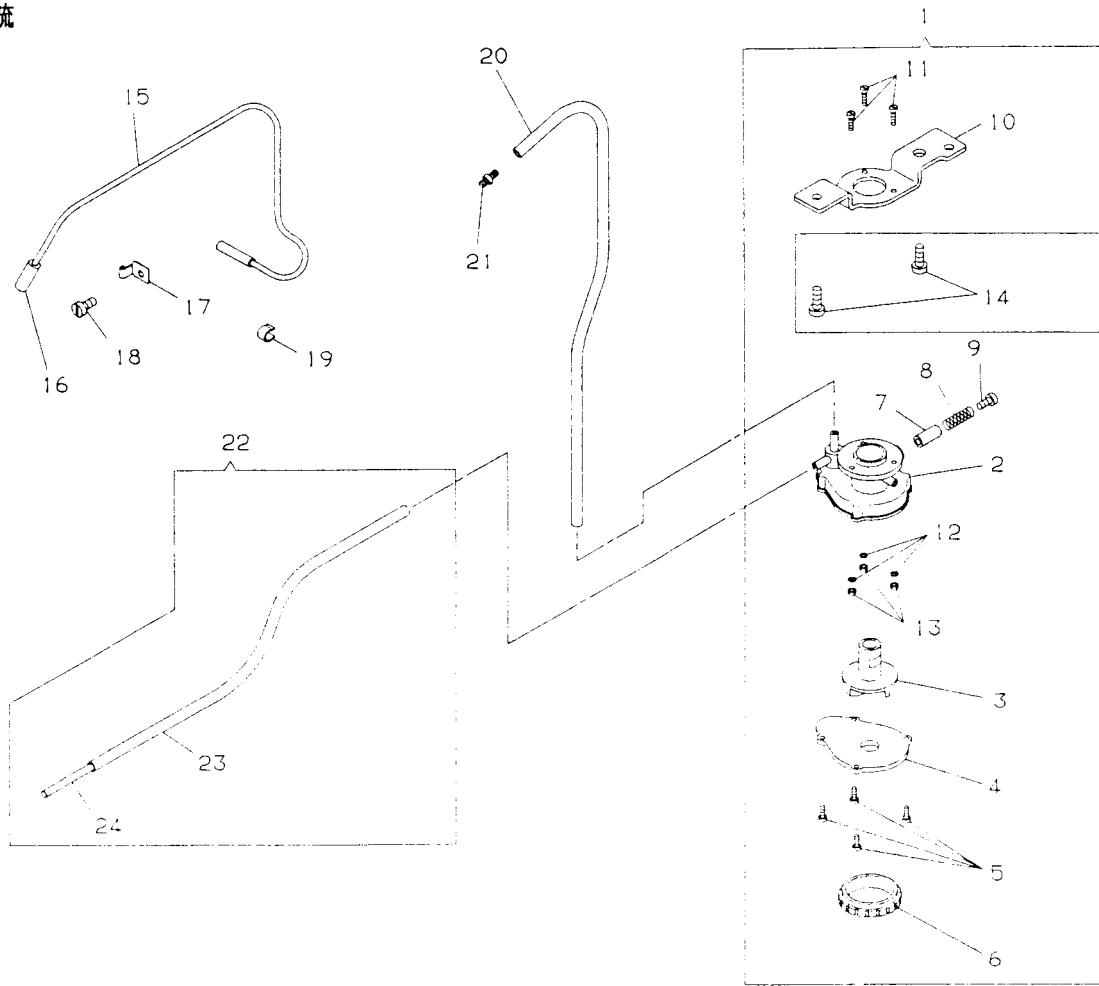
竖轴, 下轴



NO.	PART NU.	DP26A D26A D26AA D26AA	数量 QTY	名 称	DESCRIPTION
1	545767	●●●●	1	上轴歯車(組)	ARM SHAFT (HORIZONTAL) BEVEL GEAR COMP.
2	501086	●●●●	2	上軸歯車止メネジ	ARM SHAFT (HORIZONTAL) BEVEL GEAR SET SCREW
3	545767	●●●●	1	竖轴メタル(上)	ARM SHAFT (UPRIGHT) BUSHING (UPPER)
4	545766	●●●●	1	竖轴メタル(下)	ARM SHAFT (UPRIGHT) BUSHING (LOWER)
5	545765	●●●●	1	竖轴歯車(上)(組)	ARM SHAFT (UPRIGHT) BEVEL GEAR (UPPER) COMP.
6	504101	●●●●	2	竖轴歯車(上)止メネジ	ARM SHAFT (UPRIGHT) BEVEL GEAR (UPPER) SET SCREW
7	550118	●●●●	1	竖轴	ARM SHAFT (UPRIGHT)
8	545764	●●●●	1	竖轴歯車(下)(組)	ARM SHAFT (UPRIGHT) BEVEL GEAR (LOWER) COMP.
9	504101	●●●●	2	竖轴歯車(下)止メネジ	ARM SHAFT (UPRIGHT) BEVEL GEAR (LOWER) SET SCREW
10	414126	●●●●	1	外ガマ, 中ガマ(組)	ROTATING HOOK AND ROTATING HOOK BOBBIN CASE HOLDER COMP.
11	414424	●●●●	1	外ガマ, 中ガマ(組)	ROTATING HOOK AND ROTATING HOOK BOBBIN CASE HOLDER COMP.
12	376405	●●●●	1	外ガマ, 中ガマ(組)	ROTATING HOOK AND ROTATING HOOK BOBBIN CASE HOLDER COMP.
13	544244	●●●●	2	外ガマ止メネジ	ROTATING HOOK SCREW
14	544745	●●●●	1	ボビンケース(組)	ROTATING HOOK BOBBIN CASE COMP.
15	376406	●●●●	1	ボビンケース(組)	ROTATING HOOK BOBBIN CASE COMP.
16	55623	●●●●	1	ボビン	ROTATING HOOK BOBBIN
17	366963	●●●●	1	ボビン	ROTATING HOOK BOBBIN
18	545881	●●●●	1	中ガマ止メ	ROTATING HOOK BOBBIN CASE HOLDER POSITION BRACKET
19	376403	●●●●	1	中ガマ止メ	ROTATING HOOK BOBBIN CASE HOLDER POSITION BRACKET
20	504084	●●●●	1	中ガマ止メ止メネジ	ROTATING HOOK BOBBIN CASE HOLDER POSITION BRACKET SCREW
21	550119	●●●●	1	下軸(組)	ROTATING HOOK SHAFT COMP.
22	550120	●●●●	1	下軸	ROTATING HOOK SHAFT
23	505648	●●●●	1	下軸オイルフィルター(組)	ROTATING HOOK SHAFT OIL FILTER COMP.
24	1143042	●●●●	1	下軸オイルフィルターフレーム	ROTATING HOOK SHAFT OIL FILTER WICK HOLDER
25	505647	●●●●	1	下軸油流止メネジ	ROTATING HOOK SHAFT OIL FILTER WICK HOLDER
26	368386	●●●●	1	下軸カー(組)	ROTATING HOOK SHAFT OIL RETAINING COLLAR COMP.
27	504101	●●●●	2	下軸カー止メネジ	ROTATING HOOK SHAFT OIL RETAINING COLLAR SET SCREW
28	550121	●●●●	1	下軸メタル(前)	ROTATING HOOK SHAFT BUSHING (FRONT)
29	504002	●●●●	1	下軸メタル(前)止メネジ	ROTATING HOOK SHAFT BUSHING (FRONT) SET SCREW
30	544246	●●●●	1	流量調整ネジ	ROTATING HOOK OIL FLOW REGULATING THUMB SCREW
31	544958	●●●●	1	流量調整ネジスプリング	ROTATING HOOK OIL FLOW REGULATING THUMB SCREW SPRING
32	545887	●●●●	1	下軸歯車(組)	ROTATING HOOK SHAFT BEVEL GEAR (FRONT) COMP.
33	504101	●●●●	2	下軸歯車止メネジ	ROTATING HOOK SHAFT BEVEL GEAR SET SCREW
34	550122	●●●●	1	下軸メタル(後)	ROTATING HOOK SHAFT BUSHING (BACK)
35	504002	●●●●	1	下軸メタル(後)止メネジ	ROTATING HOOK SHAFT BUSHING (BACK) SET SCREW
36	550123	●●●●	1	下軸オイルシール	ROTATING HOOK SHAFT OIL SEAL

# LUBRICATING MECHANISM

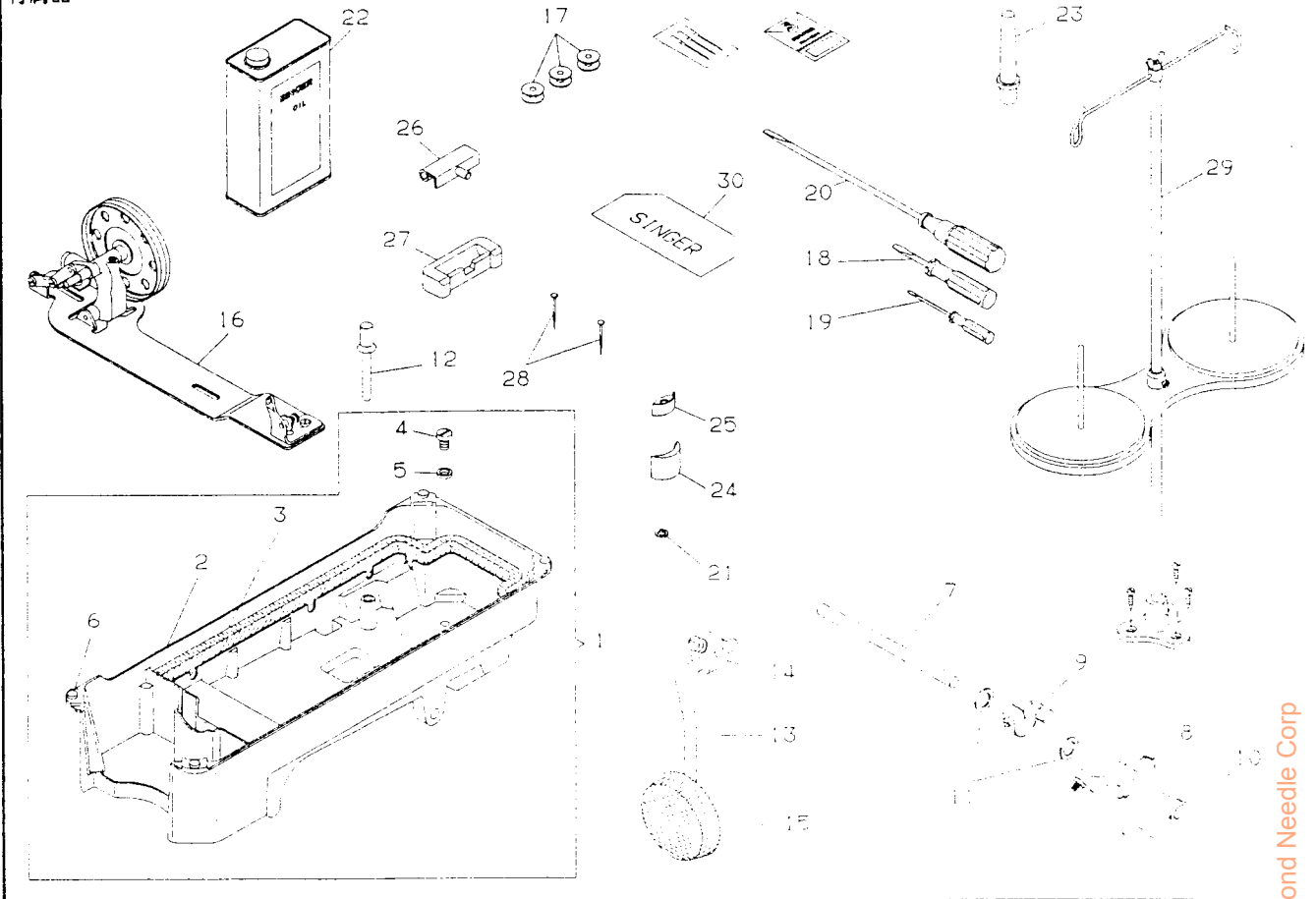
給油, 還流



NO.	部品番号 PART NO.	D200A D300A D450A D550A	数量 QTY	名称	DESCRIPTION
1	550124	●●●●	1	オイルポンプ(組)	OIL PUMP (CENTRIFUGAL) COMP.
2	544968	●●●●	1	オイルポンプ(体)	OIL PUMP (CENTRIFUGAL)
3	544969	●●●●	1	インペラー	OIL PUMP (CENTRIFUGAL) IMPELLER
4	544970	●●●●	1	オイルポンプ蓋	OIL PUMP (CENTRIFUGAL) COVER
5	544248	●●●●	4	オイルポンプ蓋止めネジ	OIL PUMP (CENTRIFUGAL) COVER SCREW
6	544971	●●●●	1	オイルポンプスクリーン	OIL PUMP (CENTRIFUGAL) SCREEN
7	544972	●●●●	1	還流ピストン	OIL REMOVING PISTON
8	410710	●●●●	1	還流ピストンバネ	OIL REMOVING PISTON SPRING
9	414716	●●●●	1	還流ピストンバネ押エネジ(組)	OIL REMOVING PISTON SPRING SCREW COMP.
10	550125	●●●●	1	オイルポンプブラケット	OIL PUMP (CENTRIFUGAL) BRACKET
11	544211-004	●●●●	3	オイルポンプブラケット止めネジ	OIL PUMP (CENTRIFUGAL) BRACKET SCREW
12	543814-001	●●●●	3	オイルポンプブラケット止めネジ垫金	OIL PUMP (CENTRIFUGAL) BRACKET SCREW WASHER
13	541164-001	●●●●	3	オイルポンプブラケット止めネジナット	OIL PUMP (CENTRIFUGAL) BRACKET SCREW NUT
14	544213-001	●●●●	2	オイルポンプ(組)止めネジ	OIL PUMP (CENTRIFUGAL) SCREW
15	368137	●●●●	1	還流チューブ(組)	OIL REMOVING TUBE COMP.
16	16380	●●●●	1	還流チューブスクリーン	OIL REMOVING LINT SCREEN
17	543371	●●●●	1	還流チューブ支え	OIL REMOVING TUBE RETAINING CLAMP
18	544212-001	●●●●	1	還流チューブ支え止めネジ	OIL REMOVING TUBE RETAINING CLAMP SCREW
19	543334	●●●●	1	還流チューブ止めバネ	OIL TUBE CLAMP
20	550128	●●●●	1	オイルパイプ(上軸用)	OIL TUBE (ARM SHAFT)
21	544964	●●●●	1	オイルパイプ(上軸用)継手	OIL TUBE (ARM SHAFT) JOINT
22	414085	●●●●	1	オイルチューブ(下軸用)(組)	OIL TUBE (ROTATING HOOK SHAFT) COMP.
23	410773	●●●●	1	オイルチューブ(下軸用)	OIL TUBE (ROTATING HOOK SHAFT)
24	543332	●●●●	1	オイルチューブ(下軸用)継手	OIL TUBE (ROTATING HOOK SHAFT) JOINT

# ACCESSORIES AND ATTACHMENTS

付属品

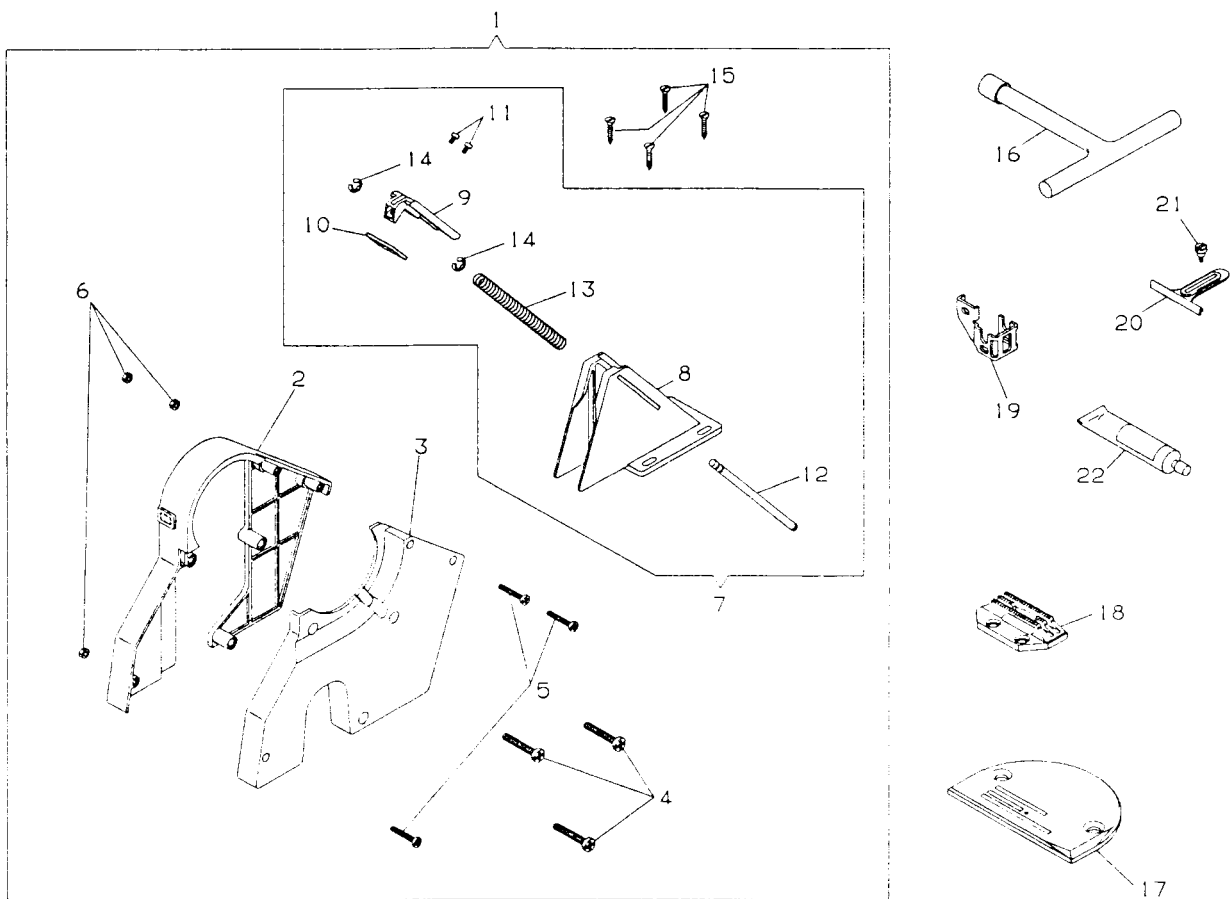


NO.	部品番号 PART NO.	数量 QTY.	名称	DESCRIPTION
1	550157	1	機受ケ(組)	MACHINE BASE AND OIL RESERVOIR COMP.
2	550158	1	機受ケ	MACHINE BASE AND OIL RESERVOIR
3	544978	1	機受ケガスケット	MACHINE BASE AND OIL RESERVOIR GASKET
4	545036	1	機受ケドレーンネジ	MACHINE BASE AND OIL RESERVOIR OIL DRAIN PLUG SCREW
5	545754	1	機受ケドレーンネジパッキン	MACHINE BASE AND OIL RESERVOIR OIL DRAIN PLUG SCREW GASKET
6	368377	4	ミシン機受ケクッション	MACHINE REST (RUBBER)
7	368257	1	踏当軸	ROCK SHAFT
8	545915	1	踏当腕(組)	ROCK SHAFT CRANK COMP.
9	545922	1	踏当回転止め(組)	ROCK SHAFT STOP DOG COMP.
10	545921	1	踏当バネ	ROCK SHAFT SPRING
11	543823-001	2	スラストワッシャー	THRUST WASHER
12	550159	1	踏上げプランジャー	BELL CRANK PLUNGER COMP.
13	544895	1	踏当棒	ROCK SHAFT KNEE ARM
14	376436	1	踏当棒突エ(組)	ROCK SHAFT KNEE ARM HUB COMP.
15	414115	1	踏当(組)	ROCK SHAFT KNEE ARM PLATE COMP.
16	505655-012	1	糸巻装置(組)	BOBBIN WINDER COMP.
17	55623	3	ボビン	ROTATING HOOK BOBBIN
18	368317	1	ドライバー(大)	SCREW DRIVER (LARGE)
19	541514	1	ドライバー(小)	SCREW DRIVER (SMALL)
20	548701	1	ドライバー(長)	SCREW DRIVER (LONG)
21	545754	1	機受ケドレーンネジパッキン	MACHINE BASE AND OIL RESERVOIR OIL DRAIN PLUG SCREW GASKET
22	410154	1	機受ケ(容量オイル750cc)	OIL CAN (750cc. FILLED WITH SINGER TYPE "O" OIL)
23	410186	1	レストピン	MACHINE REST PIN
24	540520	2	機受ケクッション(大)(前付含ム)(輸出)	MACHINE BASE AND OIL RESERVOIR CUSHION (FRONT) (EXPL.)
25	368379	2	機受ケクッション(大)(前付含ム)(国内)	MACHINE BASE AND OIL RESERVOIR CUSHION (FRONT) (DOM.)
26	540521	2	機受ケクッション(小)(前付含ム)(輸出)	MACHINE BASE AND OIL RESERVOIR CUSHION (BACK) (EXPL.)
27	368380	2	機受ケクッション(小)(前付含ム)(国内)	MACHINE BASE AND OIL RESERVOIR CUSHION (BACK) (DOM.)
28	540522	2	ミシンヒンジ	MACHINE HINGE CONNECTION
29	368381	2	ミシンヒンジ受ケ(輸出)	MACHINE HINGE CONNECTION CUSHION (EXPL.)
30	546920	2	ミシンヒンジ受ケ(国内)	MACHINE HINGE CONNECTION CUSHION (DOM.)
31	505656-007	1	ミシンヒンジ受ケ釘	MACHINE HINGE CONNECTION CUSHION WIRE NAIL
32	414407	1	二本糸立台(組)	THREAD UNWINDER (FOR TWO SPOOLS) COMP.
33	376430	1	ミシンカバー(輸出)	MACHINE COVER (EXPL.)
34	376431	1	針パック(N1955-01#14;3本入)(輸出)	NEEDLE PACK (N1955-01#14) (EXPL.)
35	376431	1	針パック(N1955-01#16;3本入)(輸出)	NEEDLE PACK (N1955-01#16) (EXPL.)
36	N15150-110	3	針(16X95#10)(国内)	NEEDLE (16X95#10) (DOM.)
37	N15150-114	3	針(16X95#14)(国内)	NEEDLE (16X95#14) (DOM.)
38	N19550-121	3	針(135X65#21)	NEEDLE (135X65#21)

From the library of: Diamond Needle Corp

PARTS AVAILABLE AT EXTRA CHARGE

別売品



NO.	部品番号 PART NO.	D300A	D300A	D258A	D558A	数量 QTY.	名称	DESCRIPTION
1	550241-383	●	●	●	●	1	ベルトガード(組)	BELT GUARD COMP.
2	550242-383	●	●	●	●	1	ベルトガード(左)	BELT GUARD (LEFT)
3	550243-383	●	●	●	●	1	ベルトガード(右)	BELT GUARD (RIGHT)
4	544213-058	●	●	●	●	3	ベルトガード止めネジ	BELT GUARD SCREW
5	544212-007	●	●	●	●	3	ベルトガード止めネジ	BELT GUARD SCREW
6	541165-001	●	●	●	●	3	ベルトガード止めネジナット	BELT GUARD SCREW NUT
7	550165-451	●	●	●	●	1	ベルトガード(下)(組)	BELT GUARD (LOWER) COMP.
8	550166-451	●	●	●	●	1	ベルトガード(下)	BELT GUARD (LOWER)
9	550167-451	●	●	●	●	1	ベルトガードスライド	BELT GUARD SLIDE
10	550168	●	●	●	●	1	ベルトガードスライドプレート	BELT GUARD SLIDE PLATE
11	544211-053	●	●	●	●	2	ベルトガードスライド止メネジ	BELT GUARD SLIDE SCREW
12	550169	●	●	●	●	1	ベルトガードスライドシャフト	BELT GUARD SLIDE SHAFT
13	368279	●	●	●	●	1	ベルトガードスライドバネ	BELT GUARD SLIDE SPRING
14	408913	●	●	●	●	2	ベルトガードスライドシャフト止メ輪	BELT GUARD SLIDE SHAFT SNAP RING
15	549398	●	●	●	●	4	ベルトガード(下)木ネジ	BELT GUARD (LOWER) WOOD SCREW
16	545945	●	●	●	●	1	ボックスレンチ	BOX WRENCH
17	52032-452	●	●	●	●	1	針板	THROAT PLATE
	142060-452	●	●	●	●	1	針板	THROAT PLATE
	142061-452	●	●	●	●	1	針板	THROAT PLATE
18	149057	●	●	●	●	1	送り	FEED DOG
19	376461	●	●	●	●	1	ニードルガード	NEEDLE GUARD
20	541515	●	●	●	●	1	クロスガイド	CLOTH GUIDE
21	504030	●	●	●	●	1	クロスガイド止めネジ	CLOTH GUIDE SCREW
22	414155	●	●	●	●	1	シール剤	SEAL COMPOUND

From the library of: Diamond Needle Corp